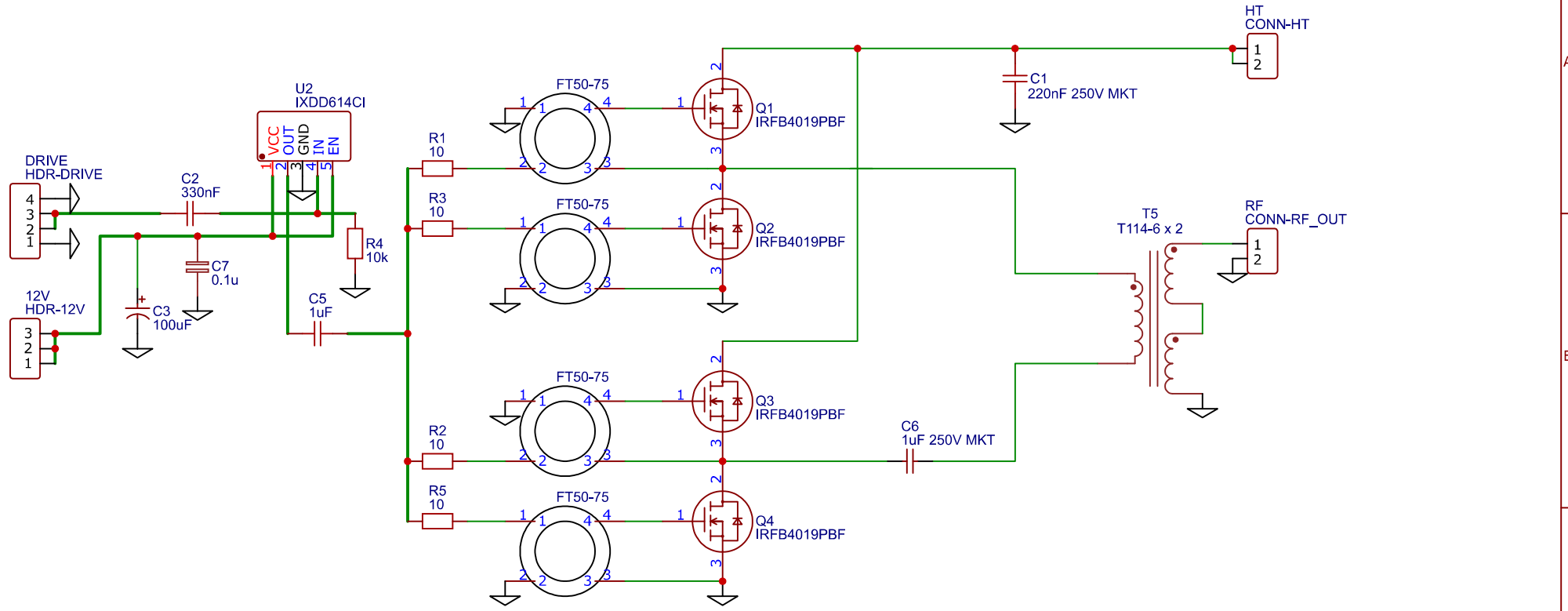


1 2 3 4 5



[Substitute: IPP530N15]  
 [Aluminium heatsink bracket: 50x25x3mm]

TITLE: H-Bridge RF switching module		REV: 1.0
EasyEDA	Company: VK3HN Workshop	Sheet: 1/1
	Date: 2021-08-26	Drawn By: VK3HN

1 2 3 4 5